



MARK



跨度由内缘标注改为外缘标注(管脚中间)

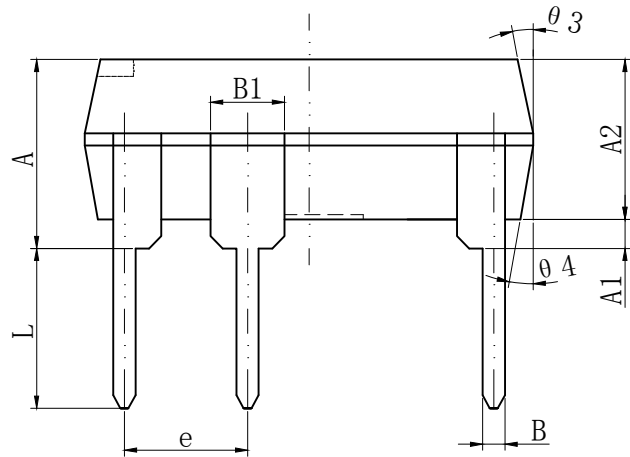
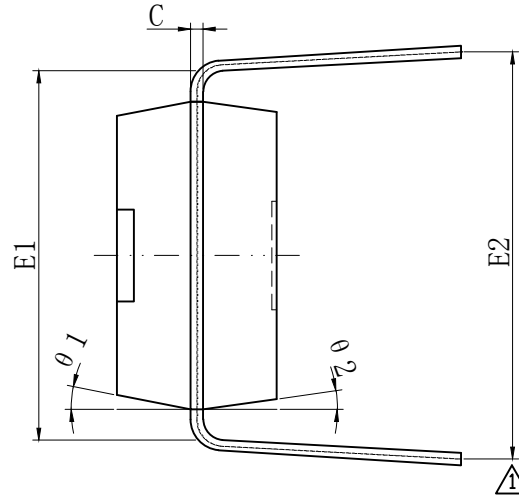
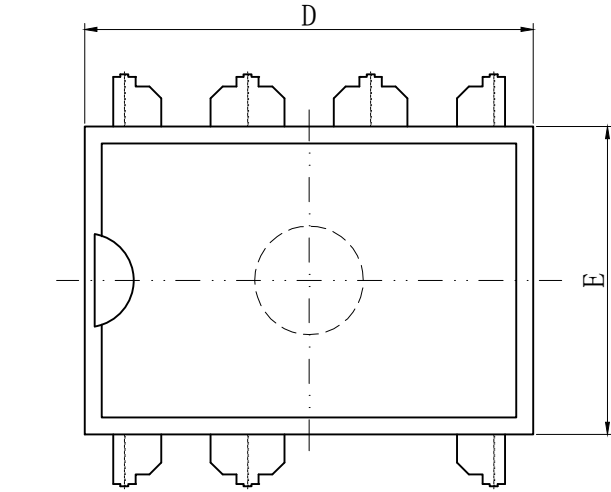


REVISION RECORD

REVISERE

APPROVER

B



SYMBOL	MILLIMETER		
	MIN	NOM	MAX
A	3.75	3.90	4.15
A1	0.60	--	--
A2	3.15	3.30	3.40
B	0.38	0.46	0.56
B1	1.52 (BSC)		
C	0.20	0.25	0.34
D	9.00	9.25	9.40
E	6.20	6.35	6.50
E1	7.35	7.62	7.85
E2	8.00	8.40	8.80
e	2.54 (BSC)		
L	3.00	3.30	3.60
θ 1	10°	~	14°
θ 2	8°	~	12°
θ 3	10°	~	14°
θ 4	8°	~	12°

技术说明:

- 1) LEADFRAME MATERIAL: COPPER;  
引线框架材料: 铜;
- 2) LEADFRAME THICKNESS: 0.254mm;  
引线框架厚度: 0.254mm;
- 3) BOTH PACKAGE LENGTH AND WIDTH DO NOT INCLUDE MOLD FLASH;  
塑封体长度及宽度尺寸不包括塑封溢胶;
- 4) REFERENCE: JEDEC MS-013, MS-012.  
参考标准: JEDEC MS-013, MS-012.

 THIRD ANGLE PROJECTION	SCALE	UNIT	mm	TITLE
	DATE	2022-12-06		
TOLERANCE		DESIGNER	CHECKER	APPROVER
		陈露		
		2022-12-06		
		DWG.NO.		MT-PD-094
		VERSION		B 第1页 共1页